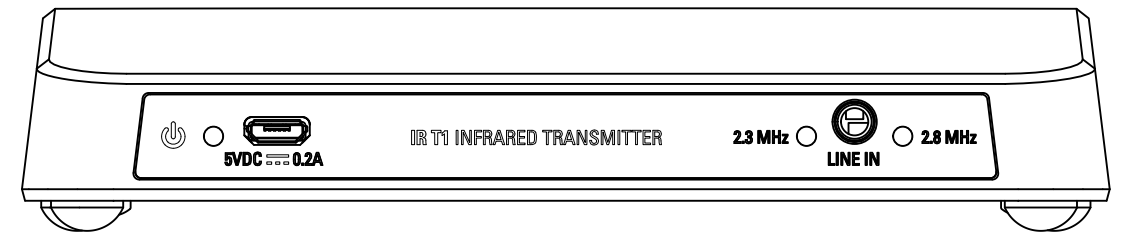
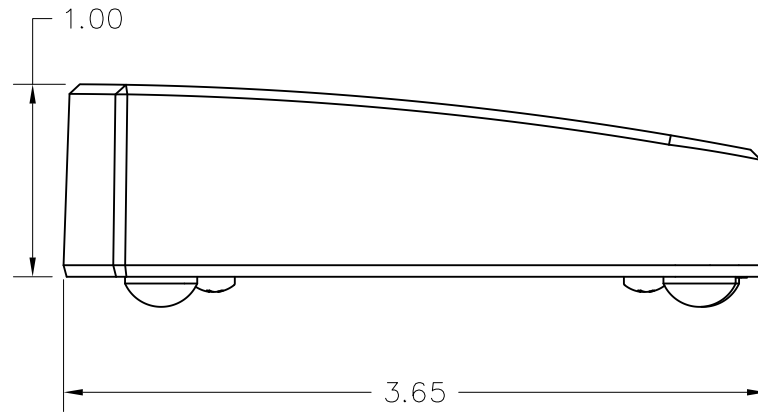
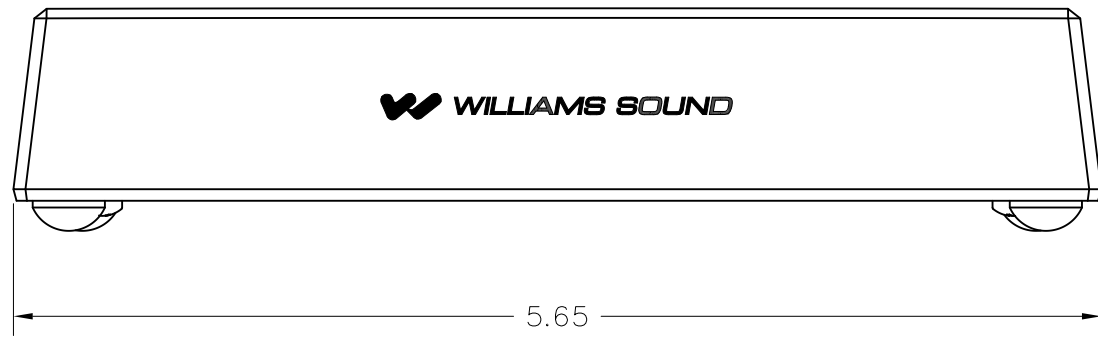
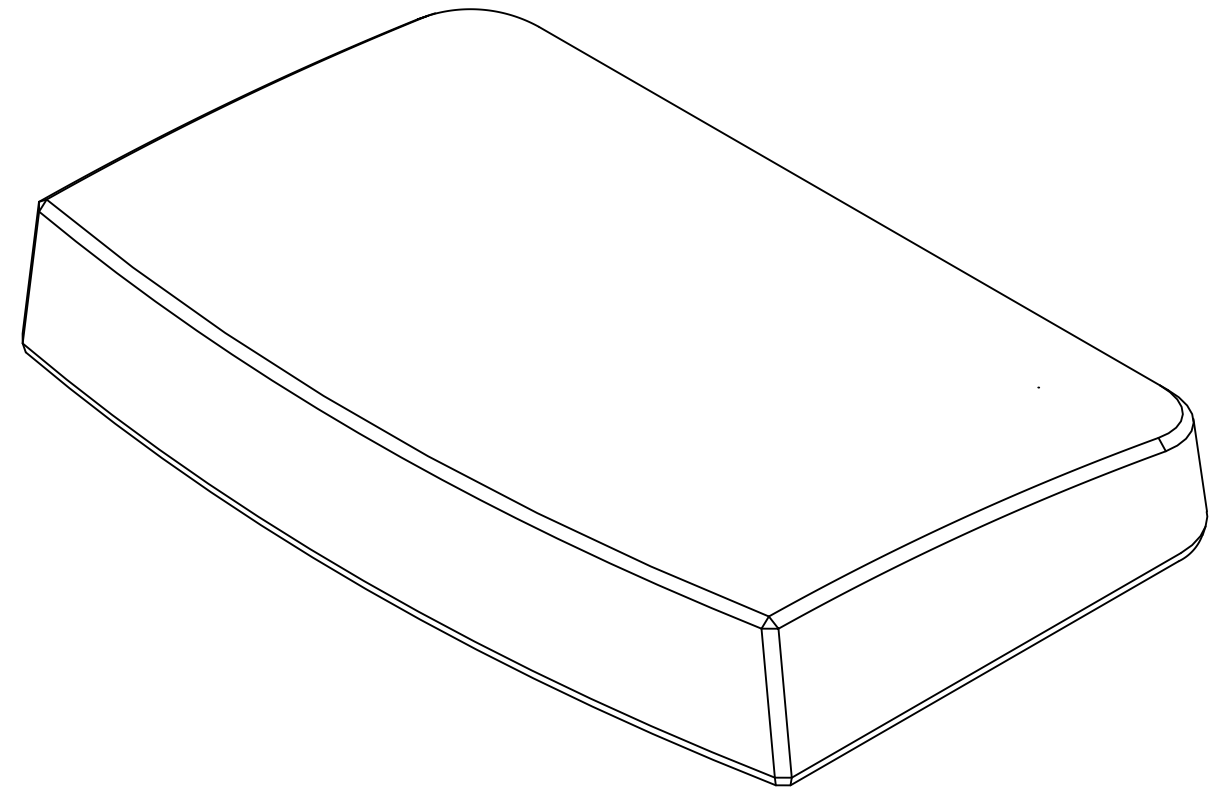
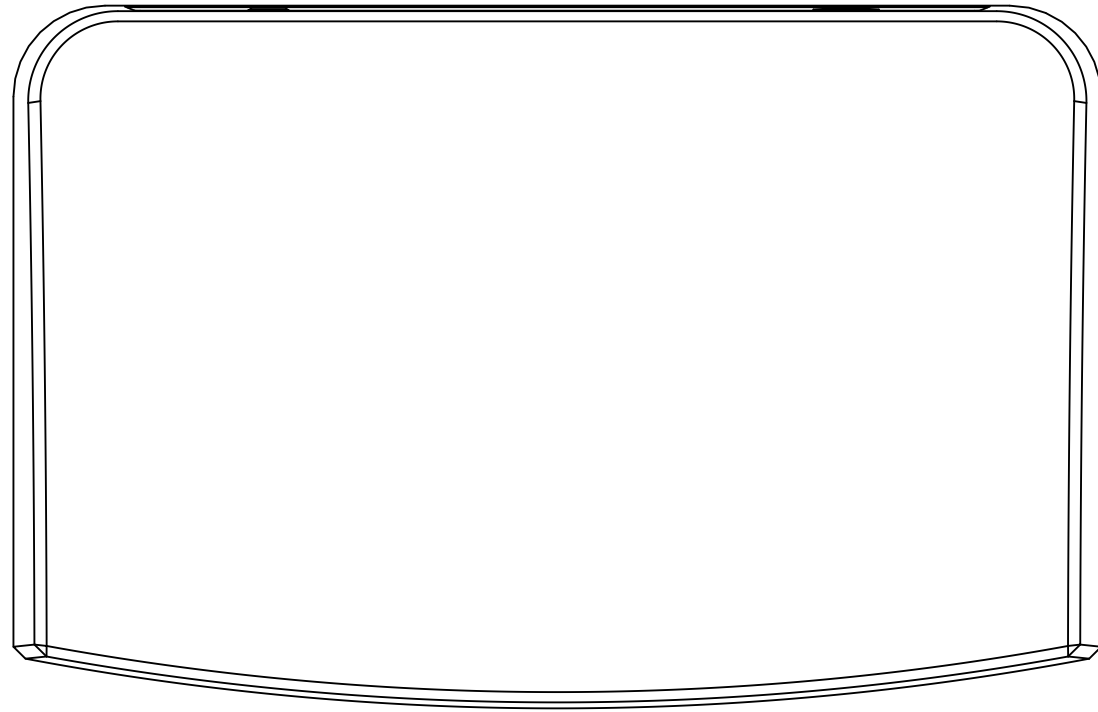


LTR	REVISIONS	ECO NO.	DATE	BY



Confidential Information. Not To Be Distributed Without Written Permission

TOLERANCES .X = ±.05 .XX = ±.015 .XXX = ±.005 DIMENSIONS ARE IN INCHES	DRAWN DVP	WILLIAMS SOUND, LLC EDEN PRAIRIE, MN 55344
	DATE © 7/27/18	
DO NOT SCALE DRAWING	CHECKED	DRAWING NUMBER PVD IR T1
B SIZE	APPROVED	REV. A